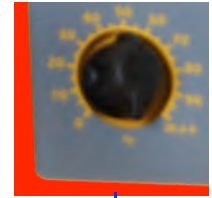


HY Series. Red Dosing Pump Electronic



- ◆ **Flow Rates 1.5 to 6 L/Hr.**
- ◆ **Pressures Up to 12 Bar**
- ◆ **Supplied With Accessories**
- ◆ **Cost Effective Dosing**
- ◆ **Adjustable Output**
- ◆ **Wall / Surface Mounting**
- ◆ **Surface Mounting Bracket Optional**
- ◆ **Fitted Priming Valve**
- ◆ **External Pacing Optional**
- ◆ **IP 65 Rating**
- ◆ **Low Level Cutout Optional**

The HY Series of Red Dosing Pumps are microprocessor based solenoid dosing pumps, which offer a cost effective solution to many simple dosing applications. The HY series of red dosing pumps are ideal for applications where space is limited. The pumps are designed for mounting on a flat vertical surface or on a flat horizontal surface with the optional mounting bracket.

The HY series of pumps have a fixed stroke length the output is controlled by adjusting the pump frequency from 0 – 160 strokes per minute.

HY-BX is the basic dosing pump with manually adjustable output by means of a potentiometer scaled 0 – 100% . Mains supply is 230 VAC 50Hz only and fitted with a power on LED.

HY-BL offers the addition of two output flow ranges, with the function switch in position “C” 0 to 100 % with the function switch in position “P” 0 to 20 % of the rated output offering greater accuracy at lower flow rates. The HY-BL red dosing pump has an input from a volt free contact which can be connected to an optional float switch used to stop the pump on low chemical level the mains supply is by switch mode power supply 100 to 240 VAC 50 / 60 Hz.

HY-BC red dosing pump is selectable for manual control by potentiometer or external pacing from a digital signal of 0 -160 pulses / minute with a divide by 4 mode. Fitted with low level input and switch mode powers supply.

HY-MA analogue red dosing pump selectable for manual control by potentiometer or external pacing from a analogue control signal of 4 – 20mA. Fitted power on LED, low level input and switch mode power supply.

Specifications

Liquid End Materials

Pump Head

Diaphragm

Valves

Valve Housings

Seals & "O" Rings

Tubing

Power supply

Power Consumption

Weatherproof Protection

HY Series Dosing Pumps

PVC/PVDF

PVC

PTFE.

Ceramic

PVC/PVDF

Viton (FP) or Dutral (EP)

Suction soft PVC, delivery Rigid LDPE

Frequency 0 to 160 Strokes / minute max.

HY-BX 230 volt AC.

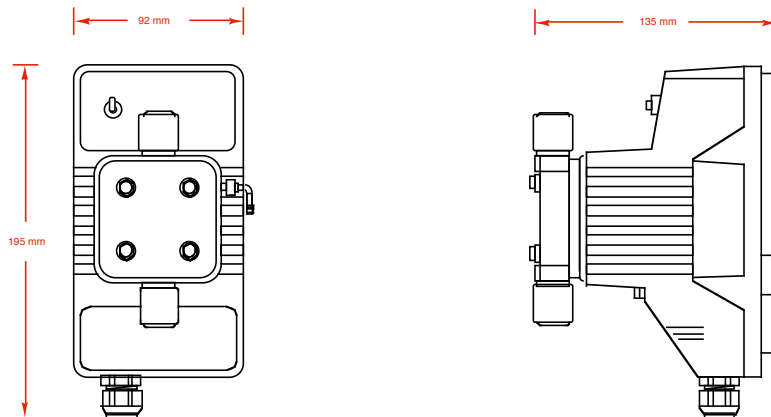
HY-BL, MA & BC 100 to 240 VAC 50/60 Hz

14 Watts

Designed to meet IP65

Dosing Pump Outputs							
Model Number	Flow Litres/Hr.	Pressure Bar	Speed Strokes/Min	Output mls/Stroke	Hose Size mm	Power Watts	Shipping weight Kg.
HY-BX 12 - 015	1	12	160	0.10	4 X 6	14	2.2
HY-BX 09 - 03	3	9	160	0.32	4 X 6	14	2.2
HY-BX 06 - 06	6	6	160	0.94	4 X 6	14	2.2
HY-BL 12 - 015	1	12	160	0.10	4 X 6	14	2.2
HY-BL 09 - 03	3	9	160	0.302	4 X 6	14	2.2
HY-BL 06 - 06	6	6	160	0.94	4 X 6	14	2.2
HY-BC 12 - 015	1	12	160	0.10	4 X 6	14	2.2
HY-BC 09 - 03	3	9	160	0.32	4 X 6	14	2.2
HY-BC 06 - 06	6	6	160	0.94	4 X 6	14	2.2
HY-MA 12 - 015	1	12	160	0.10	4 X 6	14	2.2
HY-MA 09 - 03	3	9	160	0.32	4 X 6	14	2.2
HY-AM 06 - 06	6	6	160	0.94	4 X 6	14	2.2

Dimensions



July 2011

AWE

Automated Water & Effluent Ltd

AWE House Antom Court, Tollgate Drive, Beaconside, Stafford, ST16 3AF UK.

Tel: 01785 254597 Fax: 01785 257724

www.awe-ltd.co.uk email sales@awe-ltd.co.uk