

# RDP

Red Dosing Pumps.

AT-MT Series.

Electronic Metering Pump



## ◆ Intuitive Programming

◆ New concept in programming menu

◆ Programming menus are self explanatory and easy to use

**Intelligent Display** Once a function is selected the pump will only display the parameters to set, which are linked to the selected function.

This results in reduced programming time on site hence reduced cost of ownership.

The AT-MT series of red dosing pumps are designed for either surface or foot mounting with the optional mounting bracket. The pumps outputs range from 0 - 1.5 L/Hr to 0 - 60 L/Hr and are fitted with PVC heads and ceramic ball valves with either EPDM or Viton "O" rings and seals to be specified when ordering. For greater chemical resistance when dosing concentrated reagents optional PVDF heads are available and we are able to offer PTFE ball valves.

The pumps are microprocessor controlled with an LCD back lighting display with two 16 digits rows which provide information about the pump setting, flow rate, functioning statistics and pass word protection.

Featuring either manual or auto control by either a 4-20mA or PFM signal of the pump outputs

Hose connections are either 4 x 6 mm or 8 x 12 mm LDPE low density polyethylene hose making the pumps easily interchangeable with our existing pumps already installed.

The MT series dosing pumps feature a switch mode power supply allowing the pump to operate from any AC supply from 100 to 240 VAC either 50 or 60 Hz.

This reduces your requirement to hold stock of both 110 and 240 volt mains supply pumps and export requirement are not frequency dependent.

The PVC/PVDF head is fitted with a valve to aid priming of the pump and relieve any pressure build up in the discharge pipework before removal for maintenance.

All of our AT series dosing pumps are supplied with a set of installation accessories which comprises of foot valve and strainer assembly, injection valve with built in non return valve, a short length of semi rigid LDPE dosing hose and a soft PVC suction tubing.

We are able to supply suction lance assemblies for pumping from chemical carboys. Wide ranges of other accessories are also available to compliment our RDP range of dosing pumps please call our sales hotline.

## Specifications

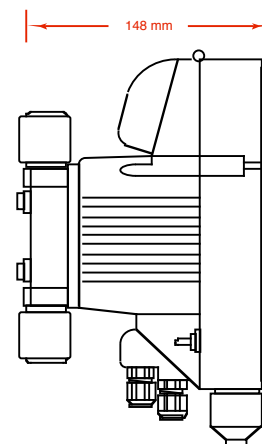
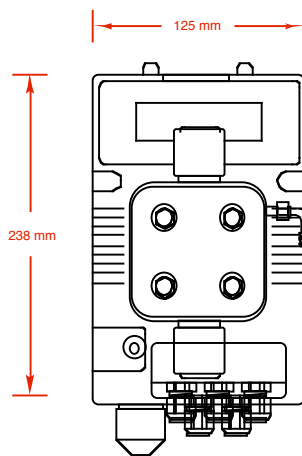
Liquid end Materials pump head  
 Diaphragm  
 Valves  
 Valve housings  
 Seals & "O" Rings  
 Suction tubing  
 Delivery hose  
 Power supply  
 Frequency control  
 Low Level control  
 Weatherproof protection

## AT-MT Series Dosing Pumps

PVC or PVDF  
 PTFE.  
 Ceramic  
 PVC or PVDF  
 Viton(FP) or Dutral (EP)  
 Similar to EPDM. others to order  
 Soft PVC  
 Rigid LDPE.  
 100 to 240 VAC  
 External pacing by VFC or 4 - 20mA selectable.  
 Via optional low level float switch  
 Designed to meet IP65

Dosing Pump Outputs							
Model Number	Flow Litres/Hr.	Pressure Bar	Speed Strokes/Min	Output mls/Stroke	Hose Size mm	Power Watts	Shipping weight Kg.
AT1.MT 20 -015	1.5	20.0	120	0.21	4 X 6 / 7	15	3.0
AT1.MT 18 - 02	2.0	18.0	120	0.28	4 X 6 / 7	15	3.0
AT2.MT 12 - 03	3.0	12.0	160	0.31	4 X 6	15	3.0
AT2.MT 10 - 04	4.0	10.0	160	0.42	4 X 6	15	3.0
AT2.MT 08 - 05	5.0	8.0	160	0.52	4 X 6	15	3.0
AT2.MT 02 - 08	8.0	2.0	160	0.83	4 X 6	15	3.0
AT3.MT 16 - 07	7.0	16.0	300	0.39	4 X 6	25	4.0
AT3.MT 10 - 10	10.0	10.0	300	0.55	4 X 6	25	4.0
AT3.MT 08 - 14	14.0	8.0	300	0.78	4 X 6	25	4.0
AT3.MT 02 - 18	18.0	2.0	300	0.89	4 X 6	25	4.0
AT4.MT 05 - 20	20	5.0	300	1.11	8 X 12	25	4.0
AT4.MT 03 - 30	30	3.0	300	1.22	8 X 12	25	4.0
AT4.MT 02 - 40	40	2.0	300	1.94	8 X 12	25	4.0
AT4.MT 01 - 60	60	0.5	300	3.33	8 X 12	25	4.0

## Dimensions



April 2011

# AWE

## Automated Water & Effluent Ltd

AWE House Antom Court, Tollgate Drive, Beaconside, Stafford, ST16 3AF UK.

Tel: 01785 254597 Fax: 01785 257724

www.awe-ltd.co.uk email sales@awe-ltd.co.uk