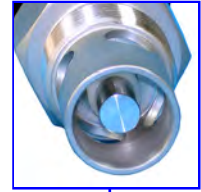




Model PSE-01 & IPSE-001 Stainless Steel Conductivity Cells



The Model PSE 01 and PSE 001 Conductivity cells are specially designed small and compact stainless steel electrolytic conductivity cell.

The Model PSE 01 and PSE 001 are ideal for monitoring solutions with very low conductivity's directly in tanks, vessel and large bore pipe work.

The Model PSE 01 and PSE 001 are manufactured from grade 316 stainless steel with P.T.F.E. insulators and viton "O" ring seals, mounting is by 3/4" BSP. male threaded boss. The cells are fitted with a weatherproof detachable plug and socket to allow for easy maintenance without having disconnecting the sensor cable.

The Model PSE 01 and PSE 001 Conductivity measuring cells have cell constant of $K= 0.1$ PSE 01 and $K= 0.01$ PSE 001 allowing measuring ranges with AWE instruments of $0 - 2.0 \mu S$ and $0 - 20.0 \mu S$ to be achieved.

The cells can be fitted with optional automatic temperature compensation.

The Model PSE 01 and PSE 001 Conductivity cells are ideal for use with our model C7685.001 special conductivity controller for ultra pure water which has the special temperature compensation for ultra pure water and can display the results as either conductivity or as resistivity in meg ohms.

Typical applications include anion, cation and mixed bed demin water monitoring as used in the, semi conductor washing and power generation industries.

- * Simple To Install.
- * Detachable Connector on PSE Cells
- * Stainless Steel Construction
- * Cell Constant Vailidated at the Factory



Specifications

Materials of construction.

Cell constant.

Max temp & max pressure.

Auto temp comp.

Connections.

Mounting.

PSE-01 & PSE-01

Stainless steel, P.T.F.E. & Viton

Manufactured with K= 0.1 and 0.01

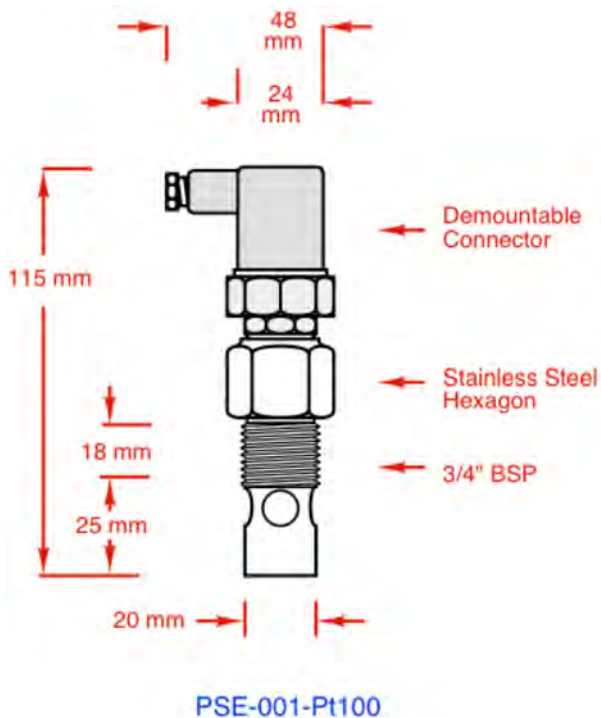
100° C & 150 P.S.I.

Maybe mounted into the cell to suit the instrument in use.

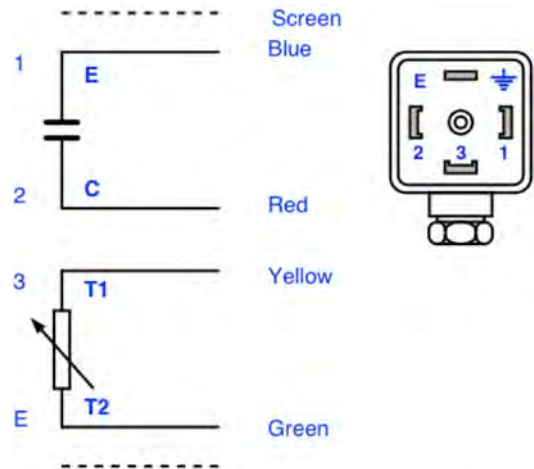
Weatherproof plug

3/4" BS.P. male thread..

Dimensions



Connections



Use LMK2 cable for cells without Auto Temp Comp for cells with auto temp comp fitted used LMK4 connecting cable. The screen should be earthed at the instrument but not connected at the cell end max cable length 25 metres

Jan 2014

AWE

Automated Water & Effluent Ltd

AWE House Antom Court, Tollgate Drive, Beaconside, Stafford, ST16 3AF UK.

Tel: 01785 254597 Fax: 01785 257724

www.awe-ltd.co.uk email sales@awe-ltd.co.uk