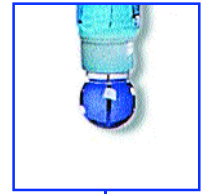




## Model P7685 Microprocessor pH/mV & °C Meter



- \* Panel Mounting 96 Din.
- \* Displays pH, mV or °C.
- \* Isolated Current Output.
- \* Alphanumeric Display.
- \* User Friendly  $\mu$ P.
- \* Two Set Point Relays.
- \* One Alarm Relay.
- \* IP65 Front Panel.



The model P7685 is a microprocessor panel mounting pH/mV & °C instrument. With a 16 character alphanumeric LCD which displays the measured parameter and provides information about the state of the control and alarm relays. Also accessible is an indication of the operating condition of the sensor.

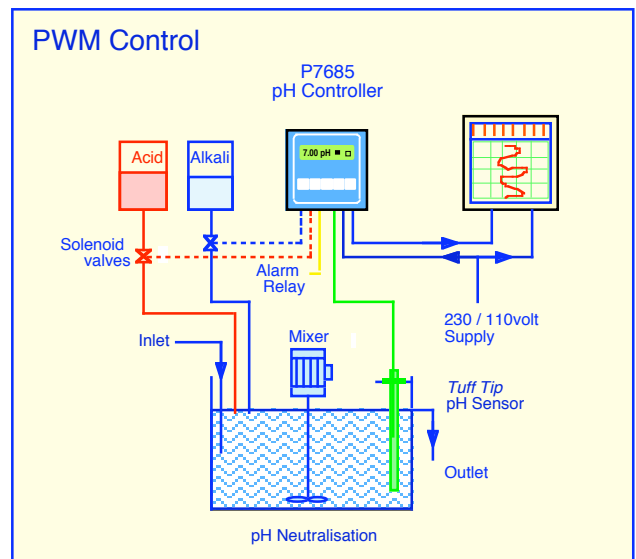
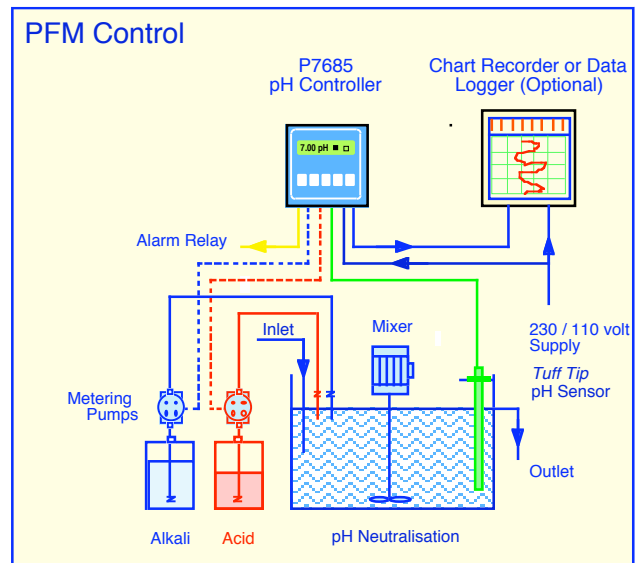
The P7685 pH/mV instrument may be programmed for a pH input or a millivolt input the pH input is also selectable for either glass or Antimony electrode inputs. The temperature input provides both a temperature indication and auto temperature compensation of the pH range. The isolated output corresponds to the measuring range selected which will expand in units of 1pH and can be programmed for either 0 - 20 mA or 4 - 20 mA.

The control relays can be programmed for either On/Off control, PFM control to proportionally control electronic metering pumps or PWM to time proportionally control solenoid valves or small pumps.

One adjustable alarm relay with delay timer is fitted which operates on both a high and low measured value. The versatility of the microprocessor accompanied by the user friendly software allow the programming of the functions, routine checks and calibration to easily be accomplished even by untrained operators.

Designed to provide reliable accurate and dependable measurement and control of many industrial process.

The electronics are housed into an anodised aluminium case providing excellent EMC properties. The rear of the case is fitted with two plug in connector blocks for ease of installation and maintenance.

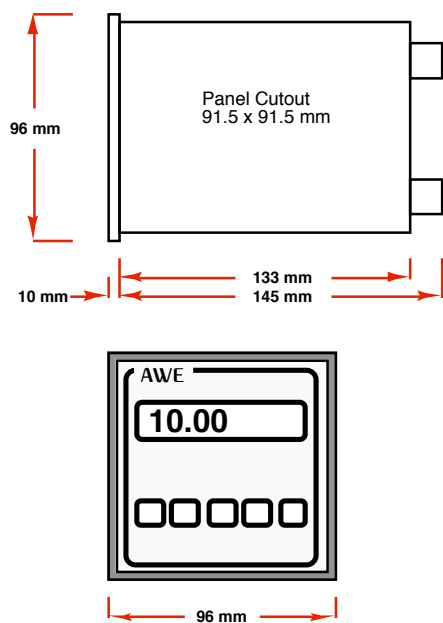


## Specifications

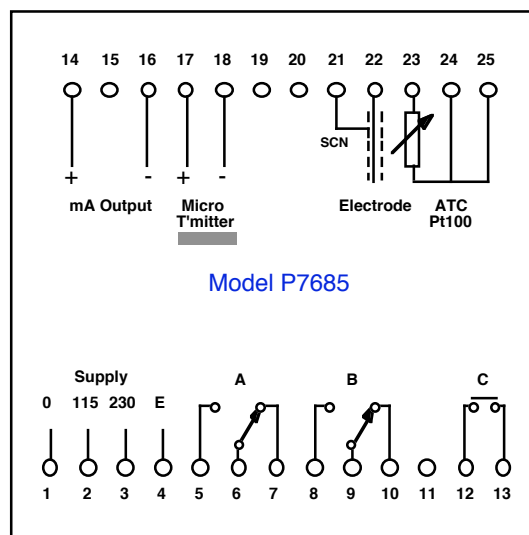
Input	Any AWE combination electrode or other good quality electrode.
Range	0 - 14.00 pH or 0 - ±1000 mV
Temp range	-10 - 110 °C
Temp comp/display.	Automatic via Pt100 sensor.
Display	16 character alphanumeric LCD.
Output	0 - 20mA / 4 - 20 mA programmable into 600 Ω
Set points	2 on/off high/low selectable. 5 amp non inductive.
Hysteresis	± 10% adjustable.
Alarm	1 min./max. or 0 - 60 mins activation of S1/2
Time delay	0 - 25 seconds adjustable.
Zero	adjustable.
Slope	adjustable.
Mains supply	230/115 volt 50/ 60 Hz.
Power consumption	5 VA
Weight	850 grams panel mounting version
Dimensions	96 x 96 x 155 mm. cutout 91.5 x 91.5 mm.

## P7685

## Dimensions



## Connections



# AWE

## Automated Water & Effluent Ltd

AWE House Antom Court, Tollgate Drive, Beaconside, Stafford, ST16 3AF UK.

Tel: 01785 254597 Fax: 01785 257724

www.awe-ltd.co.uk email sales@awe-ltd.co.uk