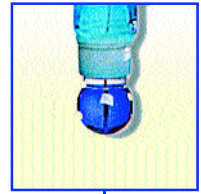




## Model P3647 pH Controller



- \* Two Set Points
- \* 0- 40 Sec Delay Timers
- \* 4 - 20 mA Current Output.
- \* Digital Display of pH.
- \* Auto Temp Compensation.
- \* Din Rail Mounting.
- \* Optional IP55 Housing

The model P3647 pH indicator controller have been designed for DIN rail mounting, either on the back plate of a control panel or in an optional surface mounting weatherproof enclosure.

The surface mounting weatherproof enclosure is rated to IP55 for all year round outside use and is fitted with an external makalon door.

Providing access to the calibration and set point controls for easy on site adjustment.

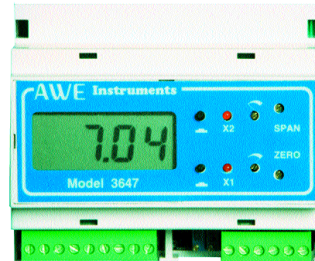
The model P3647 is fitted with two control relays each with an adjustable time delay of up to 40 seconds before the relay operates.

The operation of the relays maybe selected for high or low operation by a two DIL switches one for each relay. Enabling the relay functions to be either Hi-High , High - low or Lo -Low

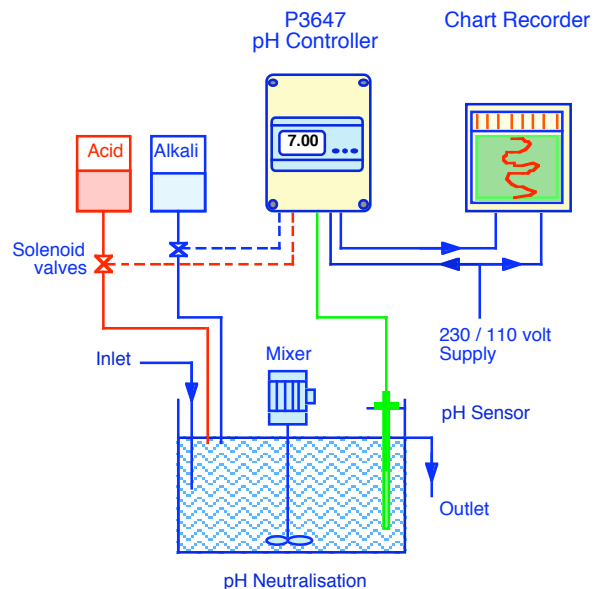
The instrument is fitted with automatic temperature compensation over the range of 0 - 100o C via a 10KΩ NTC sensor.

Industry standard 4 - 20 mA current outputs to operate remote indicators, controllers and chart recorders.

The 3000 series of instruments provide a cost effective method of control for many industrial processes, effluent and water treatment plants.



### Typical Installation

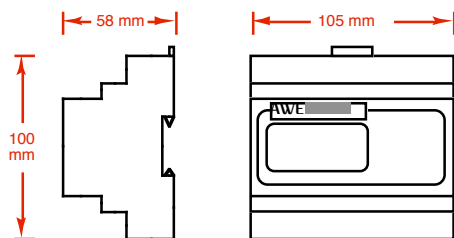


## Specifications

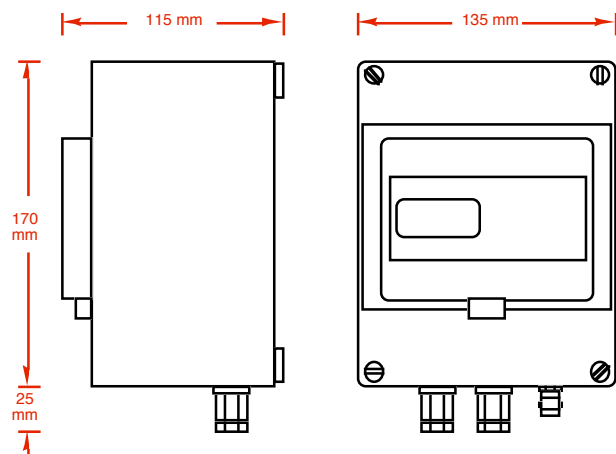
Input	Any AWE combination electrode or other good quality electrode.
Range	0 - 14.00 pH.
Display	3 1/2 L.C.D. units.
Display size	12.5 mm.
Output	4 - 20 ma into 500 $\Omega$
Set points	on/off over 100% of range 2 amp non inductive.
Control function	High / low selectable.
Time delay	0 - 40 seconds adjustable.
Temp comp.	Automatic via 10K $\Omega$ NTC.sensor.
Zero	$\pm$ 15%
Slope	$\pm$ 20%
Mains supply	230/115 volt 50/ 60 Hz.
Weight	265 grams DIN rail version

## P3647

## Dimensions



## Connections



# AWE

## Automated Water & Effluent Ltd

AWE House Antom Court, Tollgate Drive, Beaconside, Stafford, ST16 3AF UK.

Tel: 01785 254597 Fax: 01785 257724

[www.awe-ltd.co.uk](http://www.awe-ltd.co.uk) email [sales@awe-ltd.co.uk](mailto:sales@awe-ltd.co.uk)