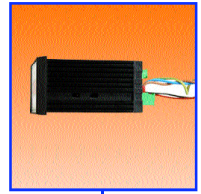




## Series BC7335 Universal Controller



- \* 0/4 - 20mA Current Input
- \* Builtin Loop Power Supply
- \* 0/4 - 20mA Current Output
- \* 4 LED Digital Display
- \* User Calibrated Scales
- \* Two Control Relays
- \* One Alarm Relay

The model BC7335 Universal controller is an instrument designed for panel mounting to the DIN 47300 standard or in the optional surface mounting enclosure.

The 7335 series instruments are a cost effective unit, featuring a 4 digit red LED display, which provides excellent visibility and provides the user with messages for setup and operation. The front panel includes 4 keys that allow the user to access the most frequently used functions..

Two programmable control relays are fitted, the control relays can be programmed for either high or low operation and have adjustable delay timers. One adjustable alarm relay with delay timer is fitted which maybe set to operate on both a high and low measured value.

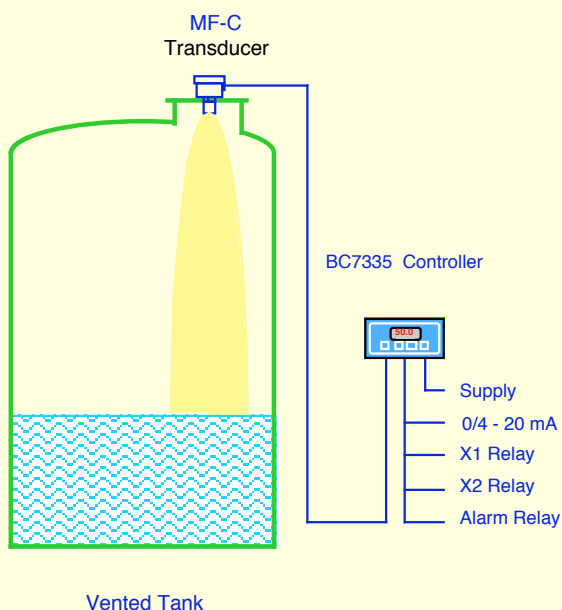
The isolated current output corresponds to the measuring range selected and can be selected for either 0 - 20 mA or 4 - 20 mA.

The model BC7335 Universal controller may be calibrated to correspond in engineering units to a 0/4 - 20 mA analogue input. The input maybe from a powered instrument example P7335 pH controller or from a transmitter requiring a loop power supplies example P3630 two wire pH transmitters.

Electrical and sensor connections are on the rear of the instrument by means of retractable terminal blocks, which provide easy installation and maintenance.

The 7335 series of controllers are available for the measurement and control of pH, Redox, Conductivity, Residual Chlorine and Dissolved Oxygen.

### Typical Installation Powering A Remote Two Wire Transmitter

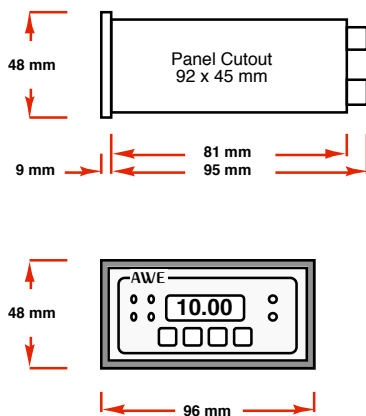


## Specifications

Input	0 - 20mA / 4 - 20 mA Optional 24 VDC loop power supply
Range	User selectable from -1999 to +9999 With selectable decimal point
Display	4 Digit bright red LED.
Logic input	Volt free contact closure for run/standby Can be set to operate the alarm relay
Set points	2 min/max selectable contacts SPST 5 amp non inductive.
Action	On/Off with delay timer 0 – 100 secs
Hysteresis	± 0.1% of FSD
Alarm	1 min or max. Contacts SPDT 5 amp non inductive.
Action	On/Off with delay timer 0 – 100 secs
Current output	0 - 20mA / 4 - 20 mA isolated into 600 ohms
Zero	Adjustable ± 10% of scale
Span	Adjustable 12.5% to 250%
Mains supply	85 – 264 volt 50/ 60 Hz. switch mode power supply
Power consumption	6 VA
Weight	450 grams DIN rail version
Dimensions	96 x 96 x 95 mm. cutout 92 x 92 mm.

## BC7335

## Dimensions

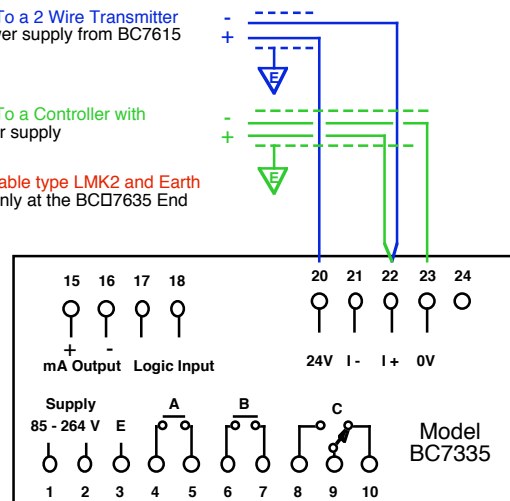


## Connections

Connection To a 2 Wire Transmitter  
with loop power supply from BC7615

Connection To a Controller with  
internal power supply

Always use cable type LMK2 and Earth  
the Screen only at the BC7635 End



Jan 2010

# AWE

## Automated Water & Effluent Ltd

AWE House Antom Court, Tollgate Drive, Beaconside, Stafford, ST16 3AF UK.

Tel: 01785 254597 Fax: 01785 257724

www.awe-ltd.co.uk email sales@awe-ltd.co.uk