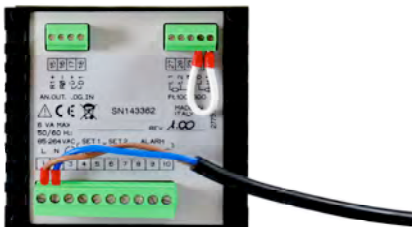
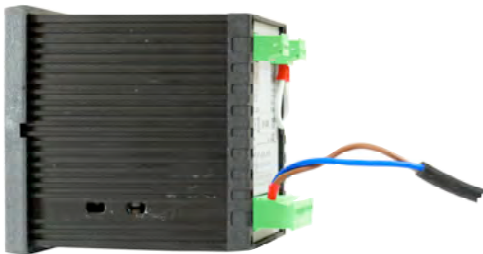


AWE

Model P7635 pH/mV Controller



- * Short Case Length Only 95 mm.
- * Panel Mounting 96 Din.
- * pH or mV User Selectable
- * Two Control Relays.
- * One Alarm Relay
- * Logic Input & Output
- * Isolated Current Output
- * Ex - Stock Deliveries

The model P7635 pH/mV meter is designed for panel mounting to the DIN 47300 standard.

The P7635 features a very short case length ideal for mounting in small or densely populated control panels where space is at a premium or in the optional surface mounting enclosure.

The P7635 pH/Redox (ORP) millivolt controller features selectable ranges for pH with a glass electrode, pH using an Antimony electrode which maybe used in solutions containing HF acid or Redox (ORP) millivolts over the range of -1000 mV to +1000 mV.

Temperature compensation maybe manually set over the range of 0 – 100oC or automatically compensated for over the range of 0 -100oC by the use of either a Pt100 or Pt1000 temperature sensor which is user selectable.

A bright red LED indicates the selected parameter pH or mV, the main readout features a 4 digit red LED display, which provides excellent visibility and provides the user with messages for setup and operation.

Two programmable control relays are fitted, the control relays can be programmed for either high or low operation and have adjustable delay timers.

One adjustable alarm relay with delay timer is fitted which maybe set to operate on both a high and low measured value.

The isolated current output corresponds to the measuring range selected and can be selected for either 0 - 20 mA or 4 - 20 mA.

Electrical and sensor connections are on the rear of the instrument by means of retractable terminal blocks which provide easy installation and maintenance.

The 7635 series of controllers are available for the measurement and control of pH, Redox, Conductivity, Residual Chlorine and as a slave controller with an analogue input.

Specifications

Input

Range

Temp range

Temp comp/display.

Display

Logic input

Set points

Action

Hysteresis

Alarm

Action

Current output

Zero

Slope

Mains supply

Power consumption

Weight

Dimensions

P7635

Any AWE combination electrode or other good quality electrode.

0 - 14.00 pH or 0 - ±1000 mV

Measuring and compensating
0 to 100 °C or 32 to 212 °F

Automatic via 3 wire Pt100 or Pt1000 sensor
Manual 0 to 100 °C

4 Digit bright red LED.

Volt free contact closure for run/standby
Can be set to operate the alarm relay

2 min/max selectable contacts SPST
5 amp non inductive.

On/Off with delay timer 0 - 100 secs

± 0.02 pH

1 min or max. Contacts SPDT 5 amp non inductive.

On/Off with delay timer 0 - 100 secs

0 - 20mA / 4 - 20 mA isolated into 600 ohms

± 2.0pH

80% - 110%

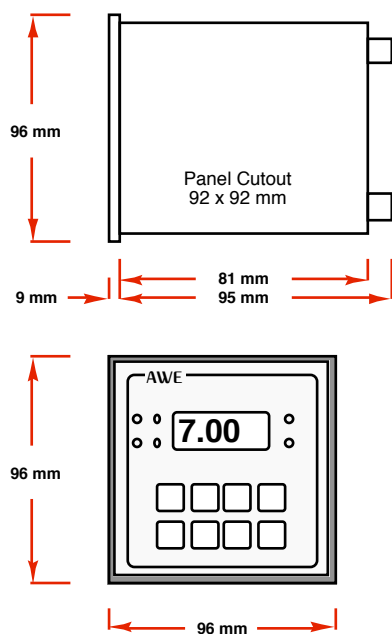
85 - 264 volt 50/ 60 Hz. switch mode power supply

6 VA

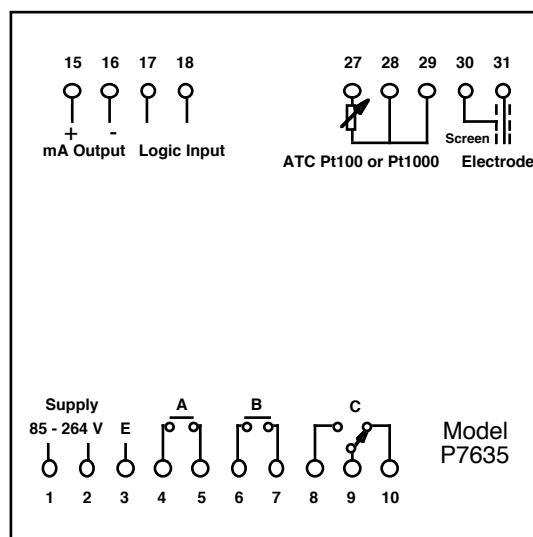
500 grams DIN rail version

96 x 96 x 95 mm. cutout 92 x 92 mm.

Dimensions



Connections



Jan 2010

AWE

Automated Water & Effluent Ltd

AWE House Antom Court, Tollgate Drive, Beaconside, Stafford, ST16 3AF UK.

Tel: 01785 254597 Fax: 01785 257724

www.awe-ltd.co.uk email sales@awe-ltd.co.uk