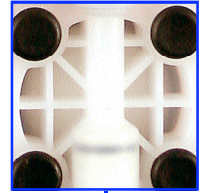




WT4 Series. Electronic Metering Pump



- ◆ Two Pumps with PVDF Pump Heads
- ◆ Water Meter External Pacing Input
- ◆ 7/28 Day Real Time Clock
- ◆ Supplied With Accessories
- ◆ Counter Input Timed Output
- ◆ Low Cost Effective Dosing
- ◆ Standby Input & Flow Input
- ◆ 40 On/Off Functions
- ◆ Percentage Timer
- ◆ External Pacing
- ◆ IP 65 Rating

The WT4 is an unique dosing pump which features a large back lit graphic display and two dosing heads both in PVDF (kynar) which provides the greatest chemical resistance to a wide range of reagents. The pump outputs are controlled by a built in microprocessor based controller which provides a wide range of control options including:-

Flow proportional dosing in proportion to a contacting head water meter with the ability to multiply or divide the pulse count by up to 999.

Counter timer where the pump counts up to 999 pulses and runs for a time duration of up to 99 mins and 59 secs.

Real time clock based on 7/28 day duration with up to 40 operations per channel and timed outputs of up to 99 mins and 59 secs.

A dose and delay timer (percentage timer) based on cycle of 99 mins and 59 secs. With dose and delay selectable as a percentage selectable as 0 – 100% of cycle.

The WT4 has an input from a remote flow switch so if dosing into water flow the pump can be prevented from dosing under no flow conditions. There is also a standby - run input function to start and stop the pump from a remote location such as a control room. There are a wide range of output flow and pressure options available.

Also available on special order are pumps with a pH input and a Redox mV input from their appropriate electrode.

The WT4 series pump range are manufactured in a glass filled polypropylene housing to provide weatherproof protection to IP65. Each pump is supplied with foot valve/strainer assembly, injection valve fitting, a short length of soft PVC suction hose and rigid LDPE dosing hose, Mains supply single phase 230 volt AC with the option of 115 volt AC or 24 volt AC. to special order.

Specifications

Liquid End Materials

Pump Heads

Diaphragm

Valves

Valve Housings

Seals & "O" Rings

Suction Tubing

Delivery Hose

Frequency

Power supply

Power consumption

Weight

Weatherproof Protection

MT4 Series Dosing Pumps

Moulded PVDF

PTFE.

Ceramic option for PTFE

Moulded PVDF

Viton(FP) or Dutral (EP)
Similar to EPDM. others to order

Soft PVC

Rigid LDPE. option for PVDF

180 Strokes / minute max.

230 VAC. optional 115 VAC or 24 VAC

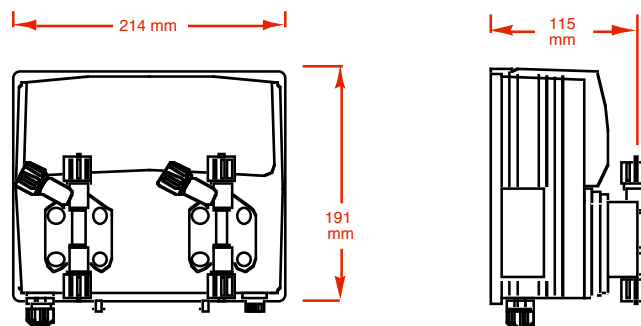
Depends on model

3.5 Kg

Designed to meet IP65

Dosing Pump Outputs							
Model Number	Flow Litres/Hr.	Pressure Bar	Speed Strokes/Min	Output mls/Stroke	Hose Size mm	Power Watts	Shipping weight Kg.
WT4 20 - 01	1	20	180	0.09	4 X 8	16	3.5
WT4 10 - 04	4	10	180	0.37	4 X 6	16	3.5
WT4 04 - 08	8	4	180	0.74	4 X 6	16	3.5
WT4 10 - 10	10	10	180	0.93	4 X 6	22	3.5

Dimensions



Nov 2007