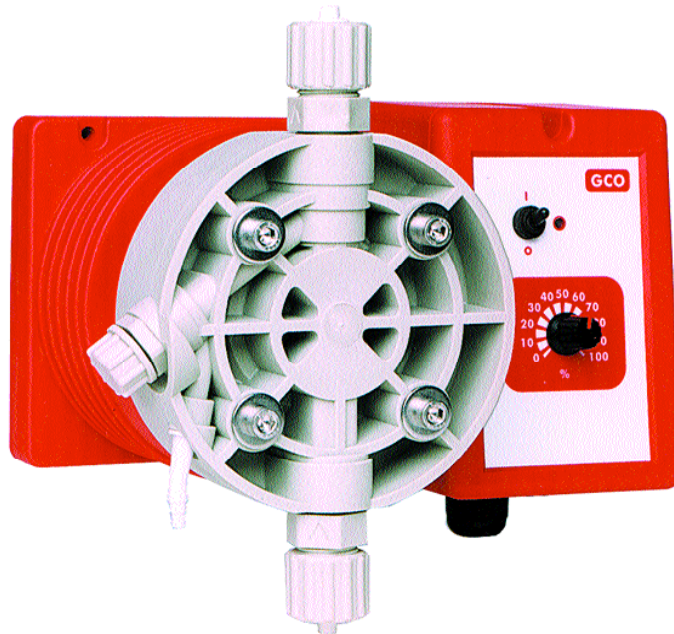
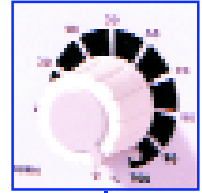




GCO Series. Electronic Metering Pump



The G Series of Electromagnetic Dosing Pumps are designed to be simple and economic to install and use, intended for mounting on a flat vertical surface.

The pumps have a fixed stroke length, the output is controlled by adjusting the pump frequency or number of strokes per minute the pump solenoid makes. This is achieved by adjusting the control knob scaled 0 - 100% which corresponds to 0 - 120 strokes per minute.

Special control functions can be supplied please contact our sales office for details.

The G Series of pumps are housed in a glass filled polypropylene housing which is both weatherproof and corrosion resistant to IP65.

Supplied with accessories comprising of foot valve strainer unit, injection fitting soft PVC and ridged LDPE hoses. Mains supply single phase 230 VAC

- ◆ **Corrosion Resistant Case**
- ◆ **Supplied With Accessories**
- ◆ **Flow rates upto 100 L/Hr.**
- ◆ **Pressures upto 20 Bar**
- ◆ **Cost Effective Dosing**
- ◆ **Built in Priming Valve**
- ◆ **Adjustable Output**
- ◆ **Surface Mounting**
- ◆ **CE Compliant**
- ◆ **IP65 Rating**

Specifications

GCO Dosing Pumps

Liquid End Materials
Pump Head

Polypropylene

Valves

Glass and PTFE

Valve Housings

Polypropylene

Seals & "O" Rings

Viton(FP) or Dutral (EP)
Similar to EPDM. others to order

Suction Tubing

Soft PVC

Delivery Hose

Rigid LDPE.

Power supply

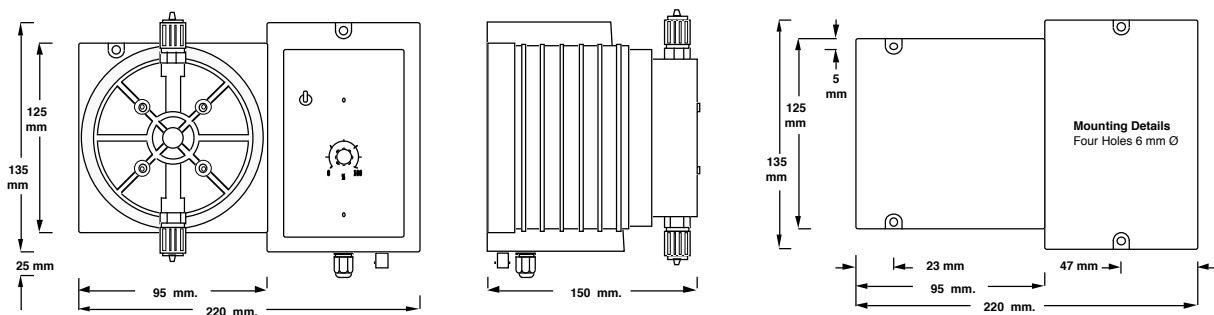
230 volt AC.
110 volt AC to order

Dimensions

As below head size will vary
with output

Dosing Pump Outputs							
Model Number	Flow Litres/Hr.	Pressure Bar	Speed Strokes/Min	Output mls/Stroke	Hose Size mm	Power Watts	Shipping weight Kg.
GCO 10 - 05	5	10	150	0.56	4 X 6	22	4.1
GCO 10 - 10	10	10	150	1.40	4 X 6	27	5.7
GCO 05 - 15	15	5.0	150	2.1	6 X 8	27	5.7
GCO 04 - 20	20	4.0	150	2.8	6 X 8	27	5.7
GCO 03 - 30	30	3.0	150	4.2	8 X 12	27	5.7
GCO 01 - 50	50	1.0	150	7.0	8 X 12	27	5.7
GCO 00 - 100	100	0.0	150	14	8 X 12	27	5.7

Dimensions



Feb 2004

AWE

Automated Water & Effluent Ltd

AWE House Antom Court, Tollgate Drive, Beaconside, Stafford, ST16 3AF UK.

Tel: 01785 254597 Fax: 01785 257724

www.awe-ltd.co.uk email sales@awe-ltd.co.uk