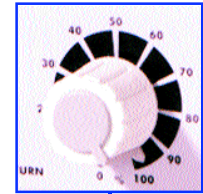


CMS Series Electronic Metering Pump.



- ◆ Supplied With Accessories
- ◆ Corrosion Resistant Case
- ◆ Flow rates upto 60 L/Hr.
- ◆ Pressures upto 25 Bar
- ◆ Cost Effective Dosing
- ◆ Built in Priming Valve
- ◆ LCD Digital Display
- ◆ Adjustable Stroke
- ◆ External Control
- ◆ μ P Controlled
- ◆ IP65 Rating



The CMS (computerised metering system) series of Electromagnetic Dosing Pumps feature manually adjustable stroke length and manually or automatically adjustable frequency.

From one stroke per hour upto 120 strokes per minute providing exceptional accuracy at very low flow rates.

The external automatic control maybe by voltfree contact closure (external pacing) with the ability to multiply or divide by upto 999.

When the external pulses are multiplied the pump distributes the output pulses taking into account the elapsed time between the pulses. This provides a uniform dose rate proportional to the pulse rate.

The external control maybe selected to be proportional to an analogue current or voltage signal. With the ability to set the min. and max. pump output any where within the input signal range. The control function maybe inverted if required so the pump output decreases with an increase in the input signal, programming is easily achieved by the four function keys.

The CMS range of pumps are manufactured in glass filled Polypropylene housings which provide weatherproof protection to IP65. Supplied with each pump are accessories comprising of foot valve strainer unit, injection fitting and soft PVC and/or ridged LDPE hoses.

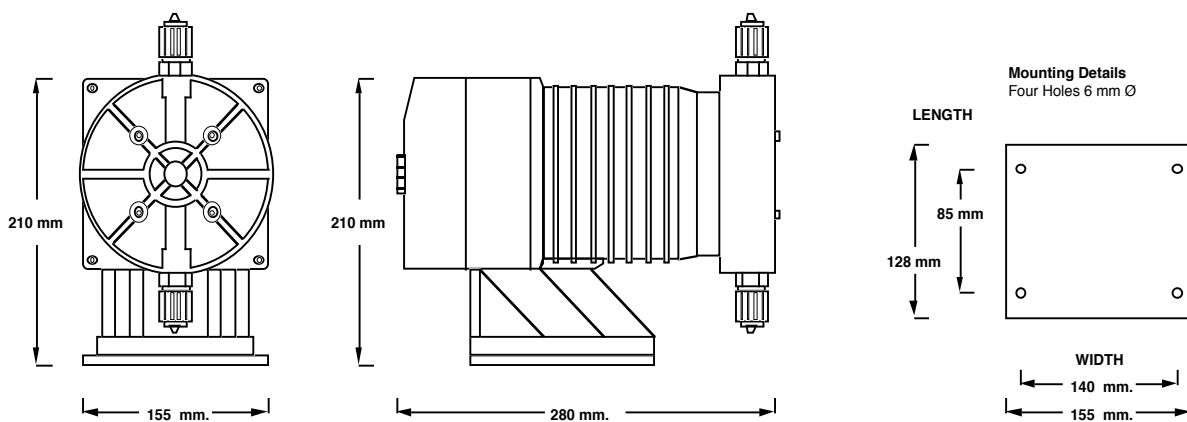
Specifications

CMS Dosing Pumps

Liquid End Materials Pump Head	Polypropylene
Valves	Glass and PTFE
Valve Housings	Polypropylene
Seals & "O" Rings	Viton(FP) or Dutral (EP) Similar to EPDM. others to order
Suction Tubing	Soft PVC
Delivery Hose	Rigid LDPE.
Power supply	186 - 268 volts AC. 94 - 134 volts AC to order
Dimensions	As below head size will vary with output

Dosing Pump Outputs							
Model Number	Flow Litres/Hr.	Pressure Bar	Speed Strokes/Min	Output mls/Stroke	Hose Size mm	Power Watts	Shipping weight Kg.
CMS 25 - 5	5.0	25.0	120	.695	4 X 8	42	9.0
CMS 15 - 10	10.0	15.0	120	1.39	4 X 8	42	9.0
CMS 07 - 20	20.0	7.0	120	2.78	6 X 8	42	9.0
CMS 03 - 40	40.0	3.0	120	5.55	8 X 12	42	9.0
CMS 02 - 60	60.0	2.0	120	8.34	8 X 12	42	9.0

Dimensions



Feb 2004

AWE

Automated Water & Effluent Ltd

AWE House Antom Court, Tollgate Drive, Beaconside, Stafford, ST16 3AF UK.

Tel: 01785 254597 Fax: 01785 257724

www.awe-ltd.co.uk email sales@awe-ltd.co.uk